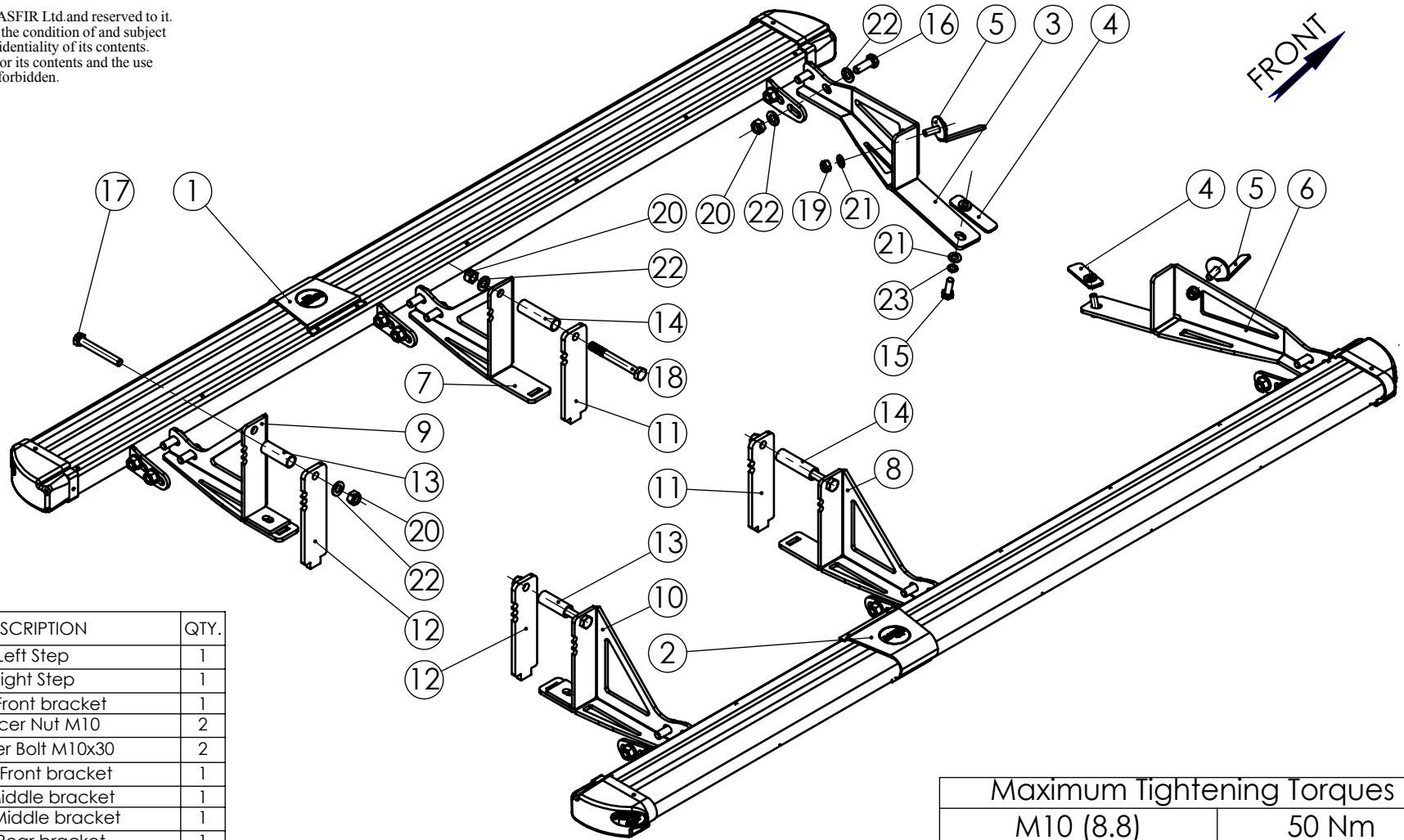


Confidential

All rights in and to this document are property of ASFIR Ltd. and reserved to it. This document is forwarded to the recipient under the condition of and subject to the obligation of the recipient to keep the confidentiality of its contents. Copying, transfer of distribution of this document or its contents and the use of it not for the purpose intended-are strictly forbidden.



NO.	PART NUMBER	DESCRIPTION	QTY.
1	MTM83.100.000	Left Step	1
2	MTM83.200.000	Right Step	1
3	MTM83.000.001	Left Front bracket	1
4	MTM83.000.002	Spacer Nut M10	2
5	MTM83.000.003	Spacer Bolt M10x30	2
6	MTM83.000.005	Right Front bracket	1
7	MTM37.000.002L	Left Middle bracket	1
8	MTM37.000.002R	Right Middle bracket	1
9	MTM37.000.003L	Left Rear bracket	1
10	MTM37.000.003 R	Right Rear bracket	1
11	MTM37.000.005	Flat to middle bracket	2
12	MTM37.000.006	Flat to rear bracket	2
13	8552	Spacer 1/2" L=58	2
14	8562	Spacer 1/2" L=75	2
15	1010	Hex Bolt M10x1.5x30 DIN 933	2
16	1003	Hex Bolt M12x1.75x35 DIN 933	12
17	1079	Hex Bolt M12x1.75x90 DIN 931	2
18	1059	Hex Bolt M12x1.75x110 DIN 931	2
19	3037	Hex Nut Nylock M10x1.5 DIN 985	2
20	3001	Hex Nut Nylock M12x1.75 DIN 985	16
21	6023	Washer 10x20 DIN125	4
22	6006	Washer 12x24 DIN 125	28
23	6008	Spring washer 10 DIN 127	2

Maximum Tightening Torques	
M10 (8.8)	50 Nm
M12 (8.8)	85 Nm

				Product Description				
CHG.	NAME	SIGN.	DATE	Drawing number <b>MTM83.000.000</b>	Vehicle Manuf.	Mitsubishi	Fiat	
DWN.	Charnay		31.07.17		Vehicle Model	Triton	Fullback	
CHKD.	David		17.11.15		Vehicle Version	Pickup L200	D-Cab	
CONFIRM	Dani		31.07.17		Vehicle VIN	MMCJYKL10GH003136	ZFAKVJY10G9007031	
<b>ASFIR LTD.</b>				Drawing description	Year of Product.	2015-2017	2016-2017	
				Side Step protector Silver		Gear Shift	Automatic/Manual	Automatic
				Catalogue number 597250	Motor Model	Diesel	Diesel	
				Weight,kg 35	Transmission	4X4	4X4	