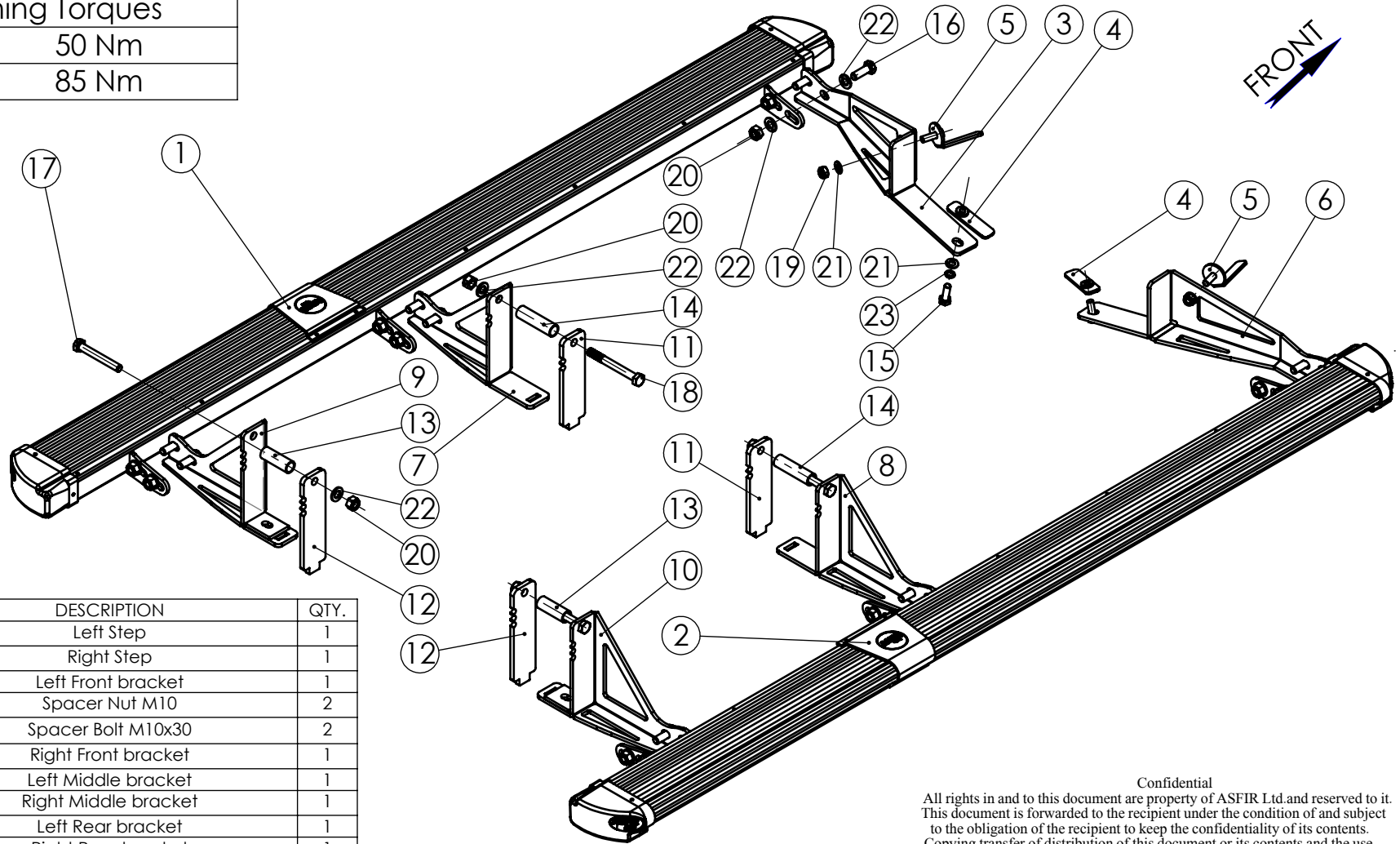


Maximum Tightening Torques

M10 (8.8)	50 Nm
M12 (8.8)	85 Nm



NO.	PART NUMBER	DESCRIPTION	QTY.
1	MTM83.100.000	Left Step	1
2	MTM83.200.000	Right Step	1
3	MTM83.000.001	Left Front bracket	1
4	MTM83.000.002	Spacer Nut M10	2
5	MTM83.000.003	Spacer Bolt M10x30	2
6	MTM83.000.005	Right Front bracket	1
7	MTM37.000.002L	Left Middle bracket	1
8	MTM37.000.002R	Right Middle bracket	1
9	MTM37.000.003L	Left Rear bracket	1
10	MTM37.000.003 R	Right Rear bracket	1
11	MTM37.000.005	Flat to middle bracket	2
12	MTM37.000.006	Flat to rear bracket	2
13	8552	Spacer 1/2" L=58	2
14	8562	Spacer 1/2" L=75	2
15	1010	Hex Bolt M10x1.5x30 DIN 933	2
16	1003	Hex Bolt M12x1.75x35 DIN 933	12
17	1079	Hex Bolt M12x1.75x90 DIN 931	2
18	1059	Hex Bolt M12x1.75x110 DIN 931	2
19	3037	Hex Nut Nylock M10x1.5 DIN 985	2
20	3001	Hex Nut Nylock M12x1.75 DIN 985	16
21	6023	Washer 10x20 DIN125	4
22	6006	Washer 12x24 DIN 125	28
23	6008	Spring washer 10 DIN 127	2

Confidential
 All rights in and to this document are property of ASFIR Ltd. and reserved to it.
 This document is forwarded to the recipient under the condition of and subject
 to the obligation of the recipient to keep the confidentiality of its contents.
 Copying transfer of distribution of this document or its contents and the use
 of it not for the purpose intended-are strictly forbidden.

	NAME	SIGN.	DATE	Drawing number	Product Description		
CHG.	David		31.07.17	MTM83.000.000B	Vehicle Manuf.	Mitsubishi	Fiat
DWN.	Charnay		17.11.15		Vehicle Model	Triton	Fullback
CHKD.	David		31.07.17	Drawing description	Vehicle Version	Pickup L200	D-Cab
CONFIRM	Dani			Side Step protector Black	VIN	MMCJYKL10GH003136	ZFAKVJY10G9007031
ASFIR LTD.				Catalogue number	Year of Product.	2015-2017	2016-2017
				597251	Gear Shift	Automatic/Manual	Automatic
				Weight,kg 35	Motor Model	Diesel	Diesel
					Transmission	4X4	4X4