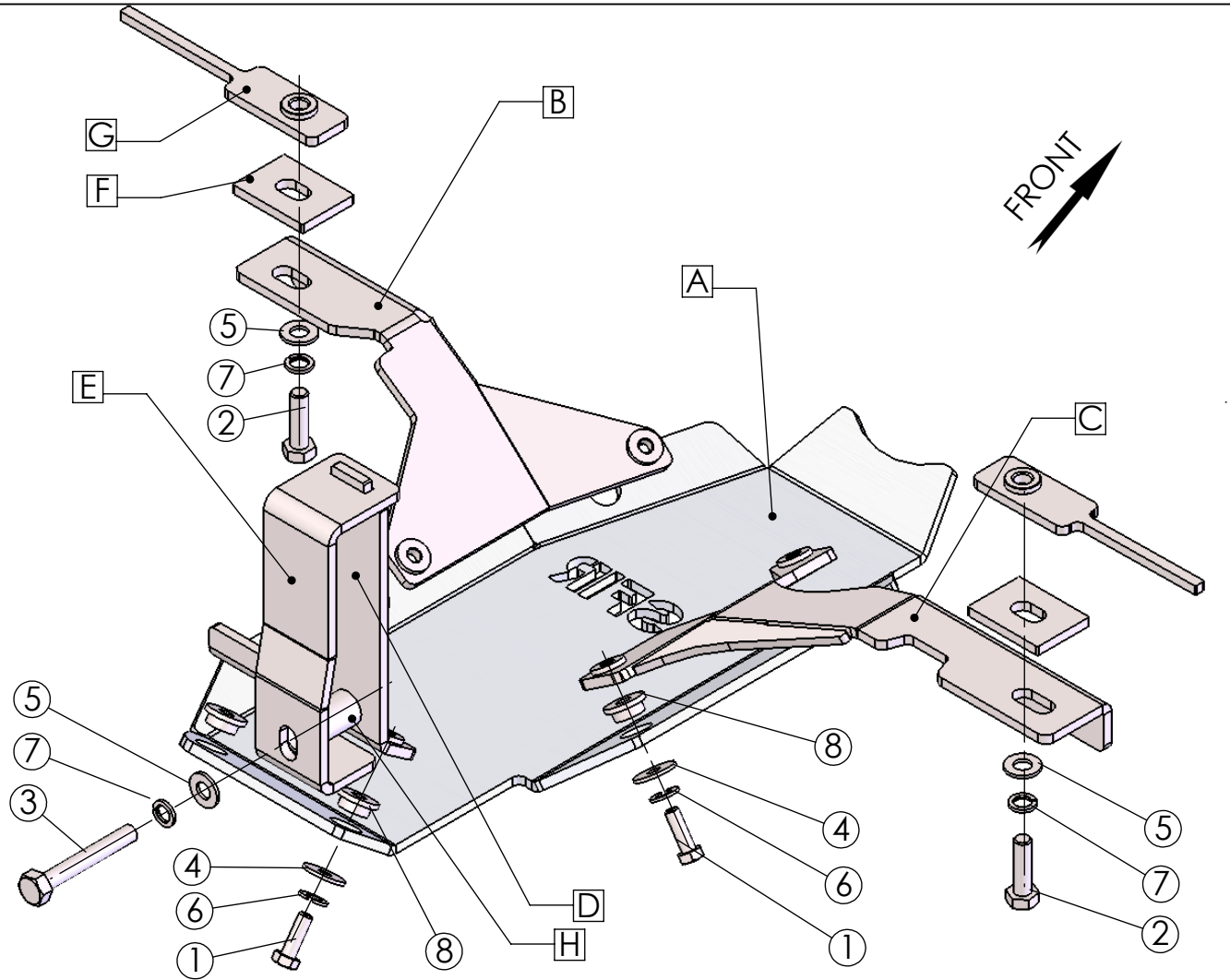


Item	Sketch number	Description	Q-ty
A	MTM62.000.001	Aluminium plate	1
B	MTM62.000.002	Left side bracket	1
C	MTM62.000.003	Right side bracket	1
D	MTM62.000.004	Rear bracket	1
E	MTM62.000.005	Joint	1
F	MTM62.000.006	Flat	2
G	MTM62.000.007	Flat nut with rod	2
H	8530	Spacer 1/2" L=50	1

NO.	NUMBER	DESCRIPTION	QTY.
1	1168	Hex Bolt M8x25 DIN933	6
2	1066	Hex Bolt M10x1.5x35 DIN 933	2
3	1067	Hex Bolt M10x1.5x70 DIN 931	1
4	6000	Washer 8x25 DIN 125	6
5	6023	Washer 10x21 DIN125	3
6	6001	Spring washer 8 DIN 127	6
7	6008	Spring washer 10 DIN 127	3
8	9001	Rubber plug	6



	NAME	SIGN.	DATE
CHG.	Charmay		09.07.12
DWN.	Slava		18.07.07
CHKD.	David		
CONFIRM	Dani		

ASFIR LTD.

Drawing number	MTM62.000.000		
Drawing description	Rear differential protector		
Catalogue number	598100		
Mass, kg	5.0		

Product Description			
Vehicle Manufac.	Mitsubishi	Citroen	
Vehicle Version	Outlander	C.croser	
Vehicle Model	5 doors	5 doors	
VIN	JMBXJCW8W7U000026	8U967595	
Reg. number			
Year of Product.	2007-2010	2007-2012	2008
Gear Shift	MANUAL	AUTOMATIC	AUTOMATIC
Motor Model	DIESEL VW 2L	Petrol,Mitsubishi 2.4L	PETROL 2.4L
Transmission	4 x 4		

Confidential

All rights in and to this document are property of ASFIR Ltd. and reserved to it. This document is forwarded to the recipient under the condition of and subject to the obligation of the recipient to keep the confidentiality of its contents. Copying transfer of distribution of this document or its contents and the use of it not for the purpose intended-are strictly forbidden.