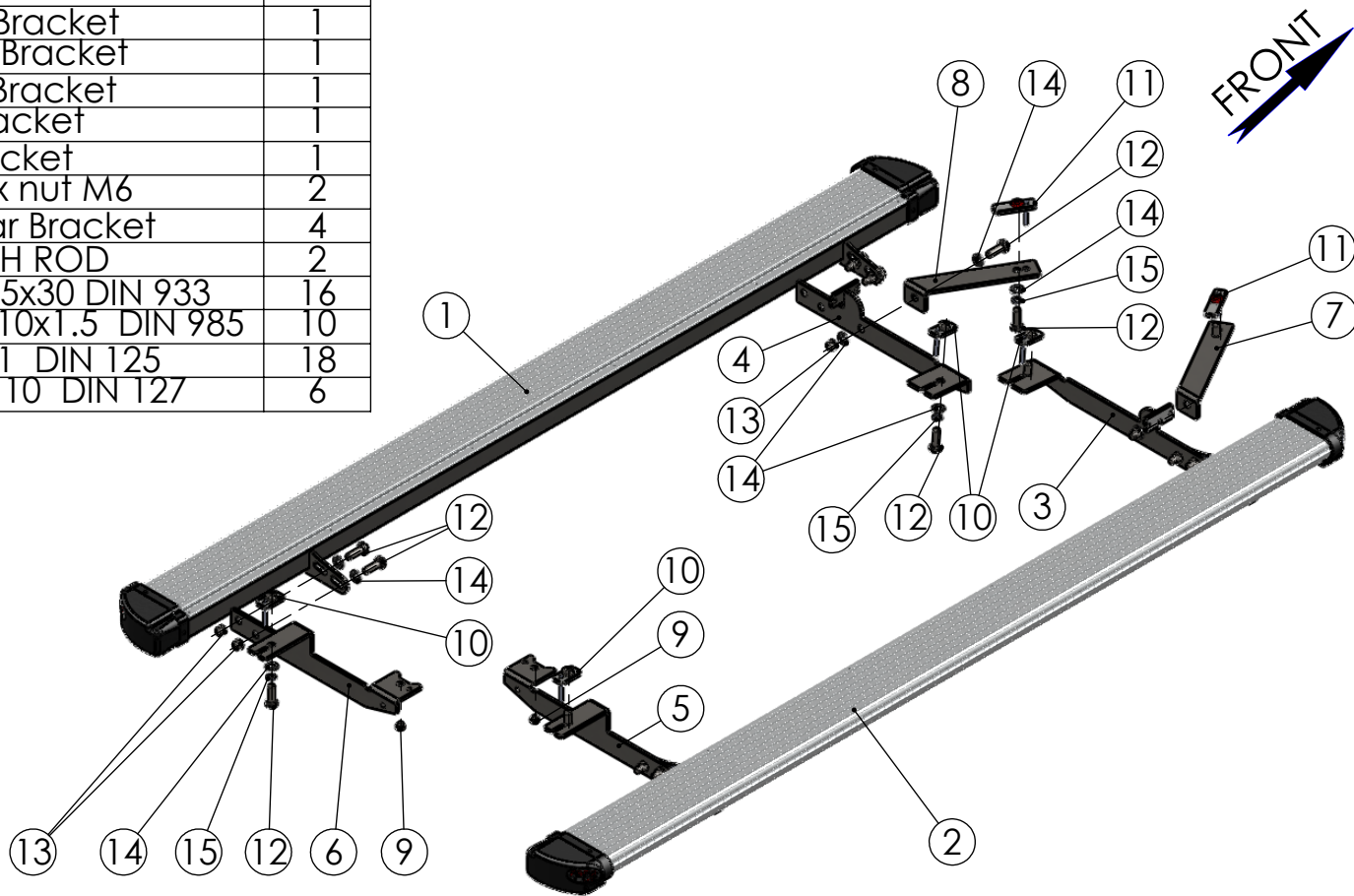


NO.	PART NUMBER	DESCRIPTION	QTY.
1	MTM72.100.000	Left Step	1
2	MTM72.100.000R	Right Step	1
3	MTM72.030.000	Front Right Bracket	1
4	MTM72.040.000	Front Left Bracket	1
5	MTM72.000.001	Rear Right Bracket	1
6	MTM72.000.002	Rear Left Bracket	1
7	MTM72.000.003	Right Bracket	1
8	MTM72.000.004	Left Bracket	1
9	MTM72.000.005	Special hex nut M6	2
10	HUM26.050.000	Plate for Rear Bracket	4
11	HUM25.040.001	PLATE WITH ROD	2
12	1010	Hex bolt M10x1.5x30 DIN 933	16
13	3020	Hex Nut nylock M10x1.5 DIN 985	10
14	6023	Washer 10x21 DIN 125	18
15	6008	Spring washer 10 DIN 127	6



Maximum Tightening Torques	
M10 (8.8)	48 Nm

Confidential
 All rights in and to this document are property of ASFIR Ltd. and reserved to it. This document is forwarded to the recipient under the condition of and subject to the obligation of the recipient to keep the confidentiality of its contents. Copying, transfer or distribution of this document or its contents and the use of it not for the purpose intended-are strictly forbidden.

NAME	SIGN.	DATE	Drawing number	Product Description	
CHG. Charnay		20.11.12	MTM72.000.000	Vehicle Manuf.	MITSUBISHI
DWN. Charnay		09.12.10		Vehicle Model	OUTLANDER
PLN. David			Drawing description	Vehicle Version	
CONFIRM Dani			Side Step	VIN	
ASFIR LTD.			Catalogue number	Year of Product.	2010 - 2011
			598150	Gear Shift	MANUAL / AUTOMATIC
			Weight,kg 18	Motor Model	DIESEL / PETROL
				Transmission	4X4