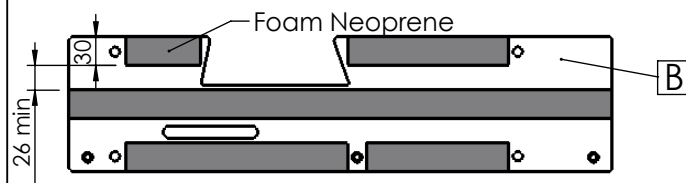
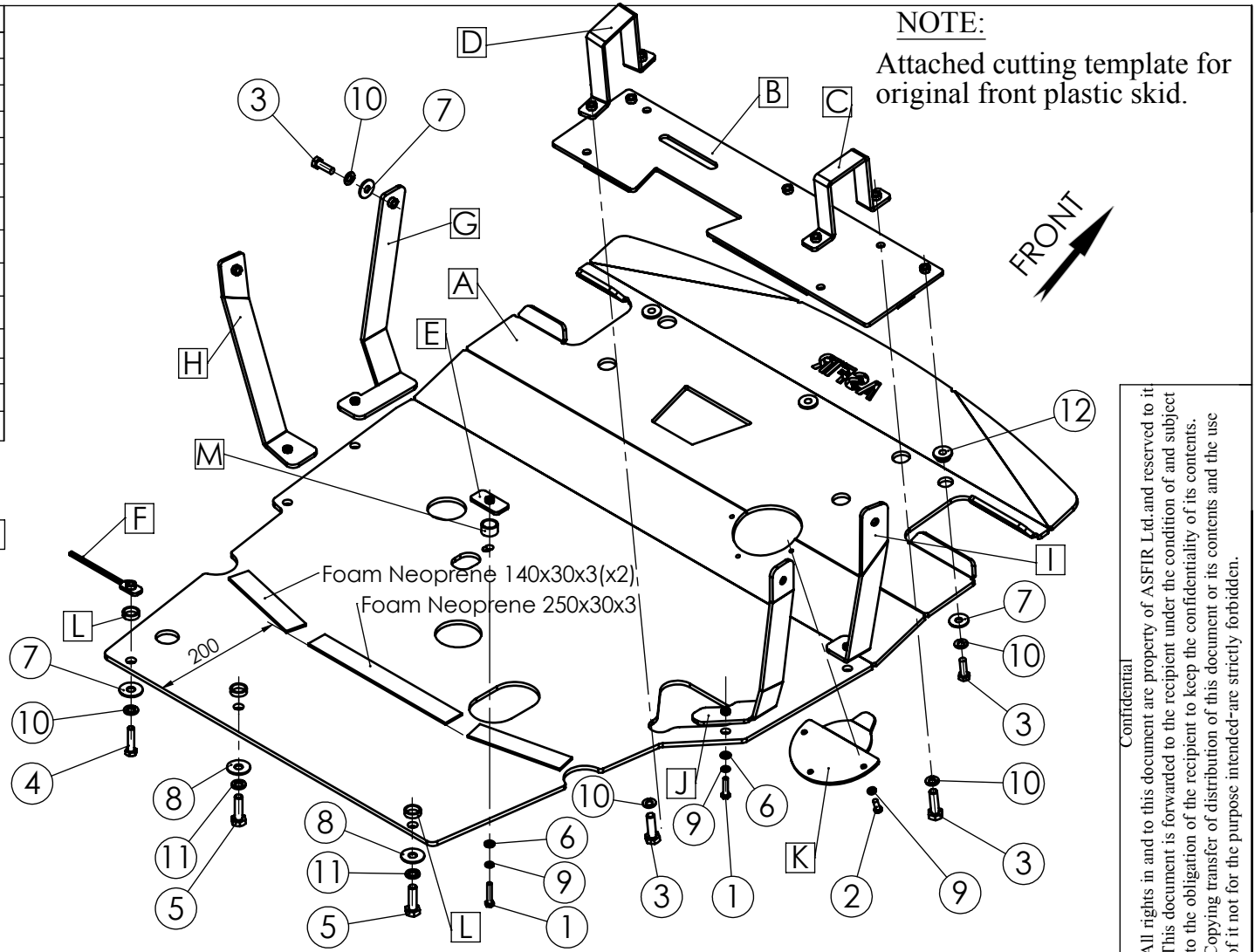


Item	Sketch number	Description	Q-ty
A	MTM60.000.001	Front skid plate	1
B	MTM60.000.002	Front Bracket	1
C	MTM60.000.003	Right Bracket	1
D	MTM60.000.004	Left Bracket	1
E	MTM60.000.005	Spacer Nut M6	1
F	MTM60.000.006	Spacer Nut M8	1
G	MTM60.000.007	Front Left Bracket	1
H	MTM60.000.008	Rear Left Bracket	1
I	MTM60.000.009	Front Right Bracket	1
J	MTM60.000.010	Rear Right Bracket	1
K	MTM60.000.012	Cover	1
L	8555	Spacer 1/2"x6	3
M	8556	Spacer 1/2"x12	1
N	MTM60.000.011	Cutting template	1



NO	PART NUMBER	DESCRIPTION	QTY.
1	1052	Hex Bolt M6X30	5
2	1068	Pan Head Cross Screw M6x16 DIN 7985	3
3	1168	Hex bolt M8x25 DIN933	11
4	1000	Hex Bolt M8X35 DIN933	1
5	1027	Hex Bolt M10x1.25x35 DIN 961	2
6	6011	Washer 6x21 DIN125	5
7	6000	Washer 8x25 DIN125	8
8	6010	Washer 10X30 DIN 9021	2
9	6009	Spring washer 6 DIN 127	8
10	6001	Spring washer 8 DIN 127	12
11	6008	Spring washer 10 DIN 127	2
12	9001	Rubber plug 18	3



<table border="1"> <thead> <tr> <th>NAME</th> <th>SIGN.</th> <th>DATE</th> </tr> </thead> <tbody> <tr> <td>CHG. Charnay</td> <td></td> <td>09.07.12</td> </tr> <tr> <td>DWN. Charnay</td> <td></td> <td>17.07.07</td> </tr> <tr> <td>CHG. David</td> <td></td> <td></td> </tr> <tr> <td>CONFIRM Dani</td> <td></td> <td></td> </tr> </tbody> </table>				NAME	SIGN.	DATE	CHG. Charnay		09.07.12	DWN. Charnay		17.07.07	CHG. David			CONFIRM Dani			<table border="1"> <thead> <tr> <th colspan="3">Product Description</th> </tr> </thead> <tbody> <tr> <td>Vehicle Manufacturer</td> <td>Mitsubishi</td> <td>Citroen</td> </tr> <tr> <td>Vehicle Model</td> <td>Outlander</td> <td>C.croser</td> </tr> <tr> <td>Vehicle Version</td> <td>5 doors</td> <td>5 doors</td> </tr> <tr> <td>Vin</td> <td>JMBXJCW8W7U000026</td> <td>8U967595</td> </tr> <tr> <td>Year of Production</td> <td>2007-2012</td> <td>2007-2009</td> </tr> <tr> <td>Gear Shift</td> <td>Automatic</td> <td>AUTOMATIC</td> </tr> <tr> <td>Motor Model</td> <td>Petrol, Mitsubishi 2.4L</td> <td>PETROL 2.4L</td> </tr> <tr> <td>Transmission</td> <td colspan="2">4 x 4</td> </tr> </tbody> </table>			Product Description			Vehicle Manufacturer	Mitsubishi	Citroen	Vehicle Model	Outlander	C.croser	Vehicle Version	5 doors	5 doors	Vin	JMBXJCW8W7U000026	8U967595	Year of Production	2007-2012	2007-2009	Gear Shift	Automatic	AUTOMATIC	Motor Model	Petrol, Mitsubishi 2.4L	PETROL 2.4L	Transmission	4 x 4	
				NAME	SIGN.	DATE																																										
CHG. Charnay		09.07.12																																														
DWN. Charnay		17.07.07																																														
CHG. David																																																
CONFIRM Dani																																																
Product Description																																																
Vehicle Manufacturer	Mitsubishi	Citroen																																														
Vehicle Model	Outlander	C.croser																																														
Vehicle Version	5 doors	5 doors																																														
Vin	JMBXJCW8W7U000026	8U967595																																														
Year of Production	2007-2012	2007-2009																																														
Gear Shift	Automatic	AUTOMATIC																																														
Motor Model	Petrol, Mitsubishi 2.4L	PETROL 2.4L																																														
Transmission	4 x 4																																															
<table border="1"> <tr> <td colspan="3" style="text-align: center;">ASFIR LTD.</td> </tr> <tr> <td>Drawing number</td> <td colspan="2">MTM60.000.000</td> </tr> <tr> <td>Drawing description</td> <td colspan="2">Front Skid Plate</td> </tr> <tr> <td>Catalogue number</td> <td colspan="2">598156</td> </tr> <tr> <td>Weight, kg</td> <td>19.6</td> <td colspan="2"></td> </tr> </table>				ASFIR LTD.			Drawing number	MTM60.000.000		Drawing description	Front Skid Plate		Catalogue number	598156		Weight, kg	19.6																															
				ASFIR LTD.																																												
				Drawing number	MTM60.000.000																																											
Drawing description	Front Skid Plate																																															
Catalogue number	598156																																															
Weight, kg	19.6																																															

Confidential
 All rights in and to this document are property of ASFIR Ltd. and reserved to it. This document is forwarded to the recipient under the condition of and subject to the obligation of the recipient to keep the confidentiality of its contents. Copying or transfer of distribution of this document or its contents and the use of it not for the purpose intended are strictly forbidden.