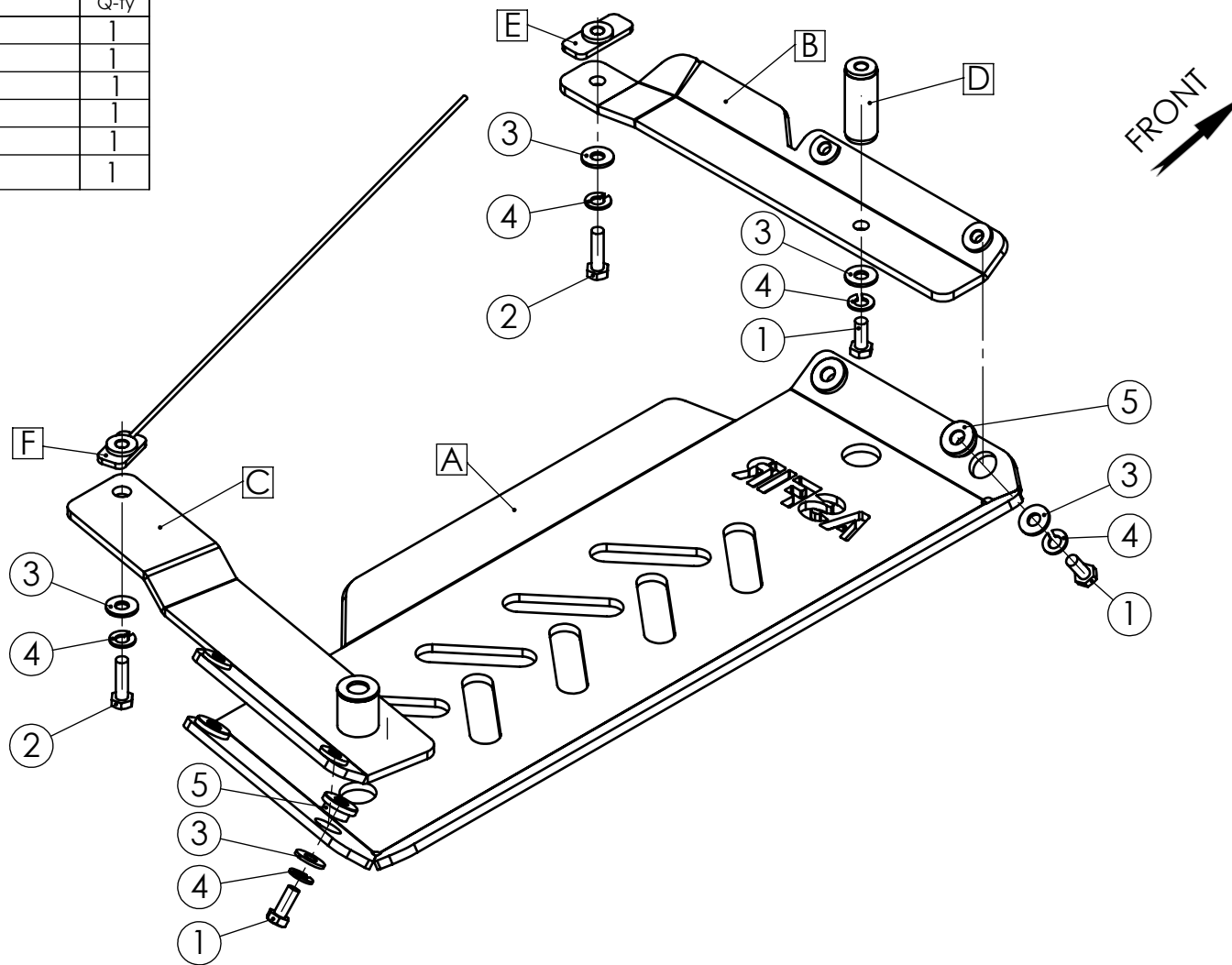


Item	Sketch number	Description	Q-ty
A	MTM64.000.001	Fuel Cooler skid plate	1
B	MTM64.000.002	Front Bracket	1
C	MTM64.010.000	Rear Bracket	1
D	MTM64.000.003	Hub	1
E	MTM64.000.004	Plate Nut M8	1
F	MTM64.000.005	Spacer Nut M8+Rod 3	1



5	Rubber bushing	4
4	Spring Washer 8	7
3	Washer 8x25	7
2	Bolt M8x35	2
1	Bolt M8x25	5
Item	Description	Q-ty

Confidential  
 All rights in and to this document are property of ASFIR Ltd. and reserved to it. This document is forwarded to the recipient under the condition of and subject to the obligation of the recipient to keep the confidentiality of its contents. Copying transfer of distribution of this document or its contents and the use of it not for the purpose intended are strictly forbidden.

			NAME	SIGN.	DATE	Drawing number	Product Description	
			CHG.	Charnay	24.02.09	MTM64.000.000	Vehicle Manufacturer	Mitsubishi
			DWN.	Charnay	19.07.07		Vehicle Model	Outlander
			CHKD.	Hovav		Drawing description	Vehicle Version	5 doors
			CONFIRM	Dani		Fuel Tank Radiator Skid Plate	Vin	JMBXJCW8W7U000026
<b>ASFIR LTD.</b>						Catalogue number	Year of Production	2007-2009
						598170	Gear Shift	Manual
						Weight, kg	4.2	Motor Model
						Transmission	4 x 4	