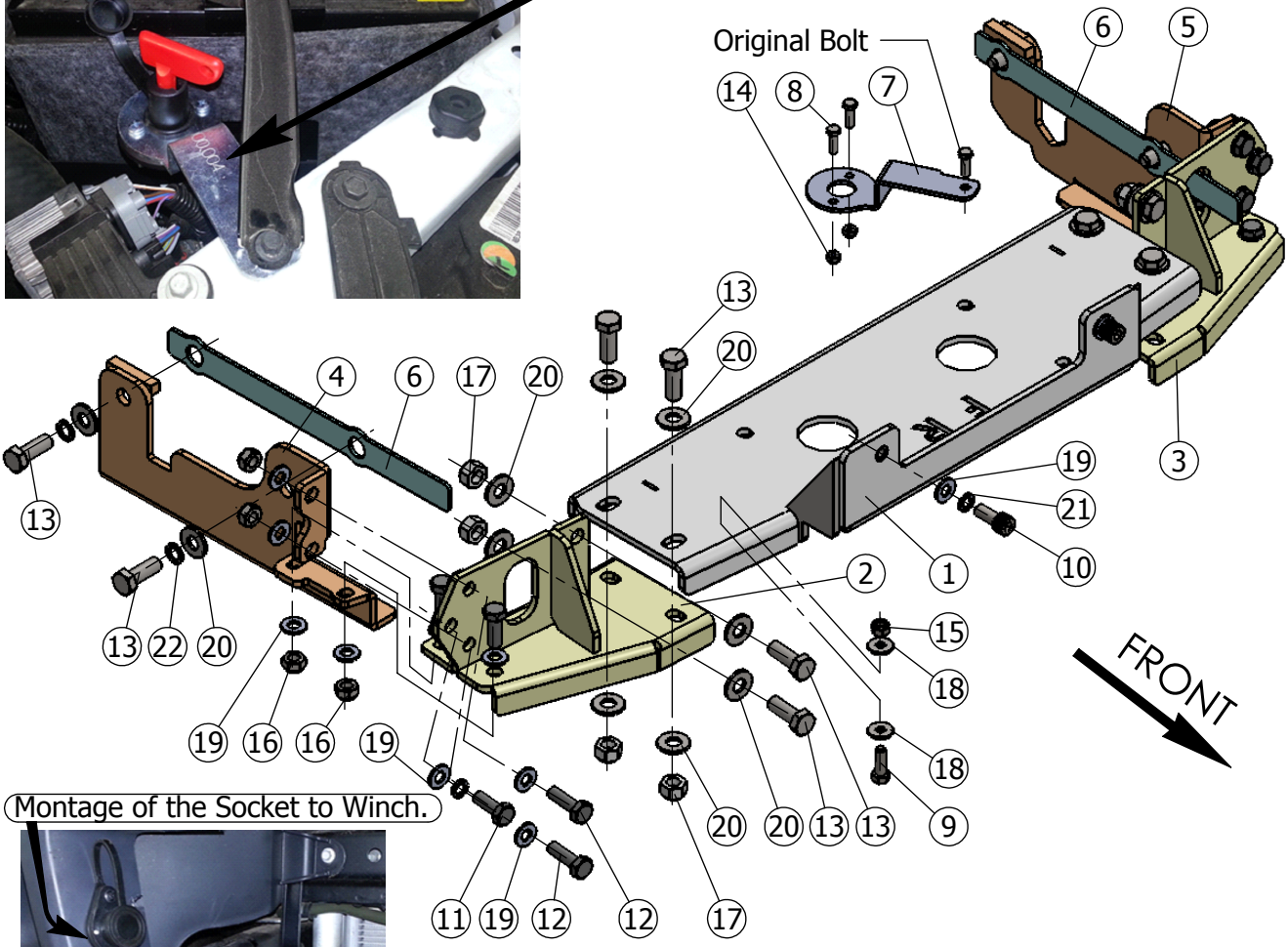
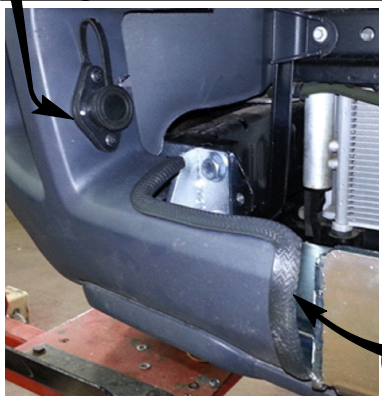


Montage of the Adapter to switch (item 7).



FRONT



Montage of the Socket to Winch.

Montage of the Low Rubber U-shape (item 23).

Registration Licensing N: \_\_\_\_\_ Standards Institute  
from date \_\_\_\_\_

N	PART NUMBER	DESCRIPTION	QTY
1	FRW60.010.000	Winch plate	1
2	FRW60.020.000	Right Bracket	1
3	FRW60.030.000	Left Bracket	1
4	FRW60.040.000	Right Side Bracket	1
5	FRW60.050.000	Left Side Bracket	1
6	FRW60.000.002	Spacer Nut M12 L=320	2
7	ISW37.000.004	Adapter to switch	1
8	1104	Hex Bolt M6x20 DIN 933	2
9	1168	Hex Bolt M8x25 DIN 933	2
10	1029	Socket Head Cap Screw M10x1.5x25 DIN 912	2
11	1010	Hex Bolt M10x1.5x30 DIN 933	6
12	1066	Hex Bolt M10x1.5x35 DIN 933	4
13	1003	Hex Bolt M12x1.75x35 DIN 933	12
14	3006	Hex Nut Nylock M6 DIN 985	2
15	3005	Hex Nut Nylock M8 DIN 985	2
16	3037	Hex Nut Nylock M10x1.5 DIN 985	8
17	3001	Hex Nut Nylock M12x1.75 DIN 985	8
18	6003	Washer 8x21 DIN 125	4
19	6023	Washer 10x21 DIN 125	20
20	6006	Washer 12x27 DIN 125	20
21	6008	Spring washer 10 DIN 127	4
22	6005	Spring washer 12 DIN 127	4
23	2010	Low Rubber U-shape for 3 mm L=300 m	2
24	FRW60.000.000I	Instructions	1

	NAME	SIGN.	DATE
CHG.			
DWN.	Slava		21.10.13
PLN.	David		
CONFIRM	Dani		

ASFIR LTD.

Drawing number		Product Description	
FRW60.000.000		Vehicle Manuf.	FORD
Drawing description		Vehicle Model	RANGER
Hidden Winch Plate		Vehicle Version	Double Cabine
Catalogue number		VIN	6FPPXXMJ2PCL65325
599220		Year of Product.	2013
Mass, kg 21		Gear Shift	MANUAL
		Motor Model	DIESEL 2.2TDCi
		Transmission	4X4

Confidential  
All rights in and to this document are property of ASFIR Ltd. and reserved to it. This document is forwarded to the recipient under the condition of and subject to the obligation of the recipient to keep the confidentiality of its contents. Copying transfer of distribution of this document or its contents and the use of it not for the purpose intended-are strictly forbidden.