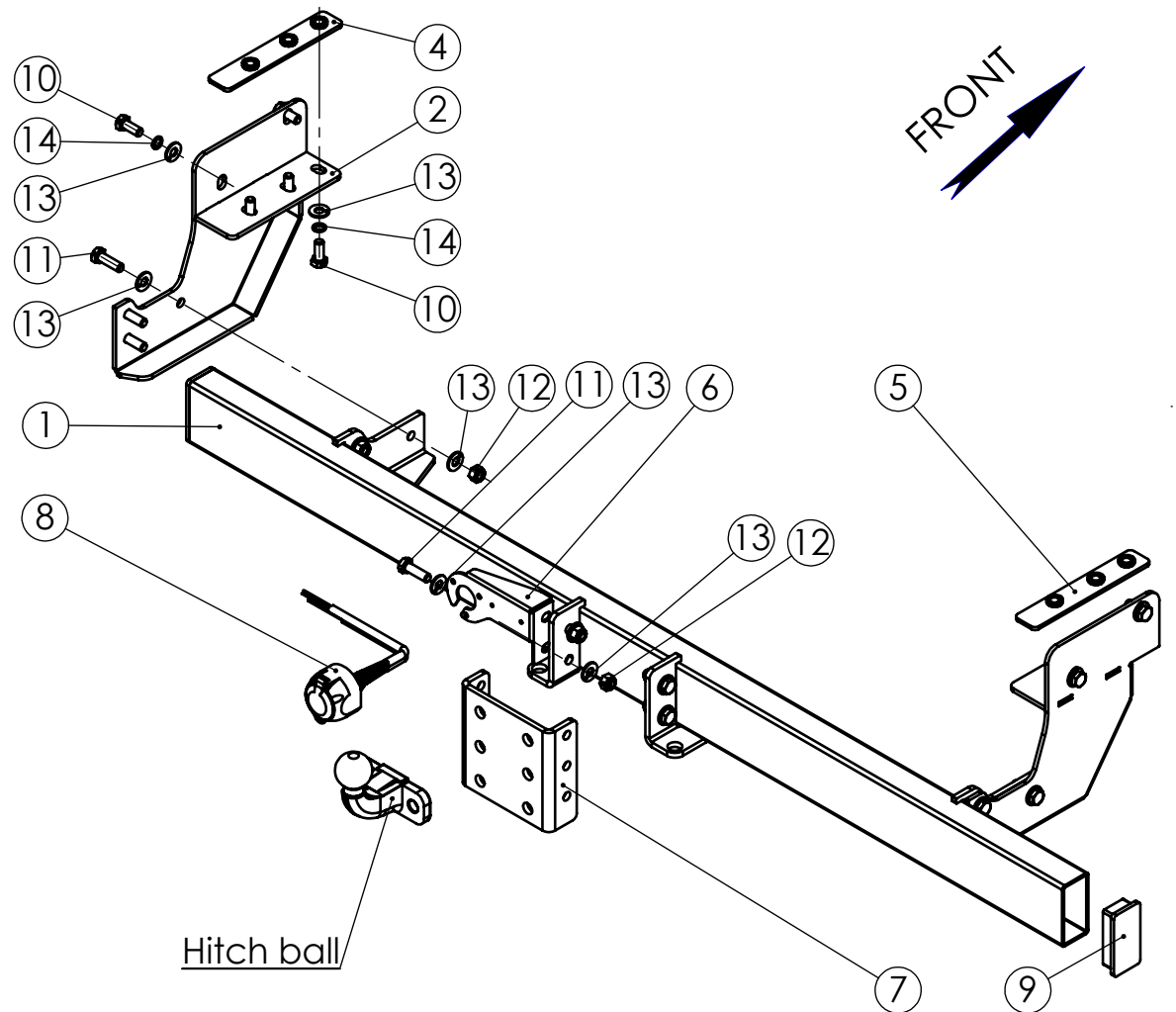


NO.	PART NUMBER	DESCRIPTION	QTY.
1	FRW58.010.000	HD rear bumper	1
2	FRW58.020.000	Left Bracket	1
3	FRW58.030.000	Right Bracket	1
4	FRW58.000.010	Left Flat	1
5	FRW58.000.020	Right Flat	1
6	FRW58.000.003	Plate for socket	1
7	FRW58.000.004	Tow Bracket	1
8	AS380.020.000	Electric socket 13 pins	1
9	5003	Plastic plug 100x50	2
10	1248	Hex Bolt M12x1.75x30 DIN 933	10
11	1004	Hex Bolt M12x1.75x40 DIN 933	10
12	3001	Hex Nut Nylock M12x1.75 DIN 985	10
13	6006	Washer 12x27 DIN 125	30
14	6005	Spring washer 12 DIN 127	10

Maximum Tightening Torques	
M12 (8.8)	89 Nm

No	DIRECTION	CABLE COLOUR
1	BLINKING LEFT	Green, yellow strip
2	FOG	Green, orange strip
3	MINUS	Black
4	BLINKING RIGHT	Green, yellow strip
5	PARKING RIGHT	Red, green strip
6	STOP	Green
7	PARKING LEFT	Red, green strip
8	REVERSE	Red, yellow strip



			Drawing number	Product Description	
CHG.	Charnay	5.03.14	FRW58.000.000	Vehicle Manuf.	FORD
DWN.	Charnay	03.10.13		Vehicle Model	RANGER
CHKD.	David	David 5.03.14	Drawing description	Vehicle Version	Double Cabine
CONFIRM	Dani		TOWING DEVICE	VIN	6FPPXXMJ2PCL65325
ASFIR LTD.				Catalogue number	Year of Product.
			599240	Gear Shift	MANUAL
			Weight,kg 35.0	Motor Model	DIESEL 2.2/3.2TDCi
				Transmission	4X4

Confidential
All rights in and to this document are property of ASFIR Ltd. and reserved to it. This document is forwarded to the recipient under the condition of and subject to the obligation of the recipient to keep the confidentiality of its contents. Copying transfer of distribution of this document or its contents and the use of it not for the purpose intended-are strictly forbidden.