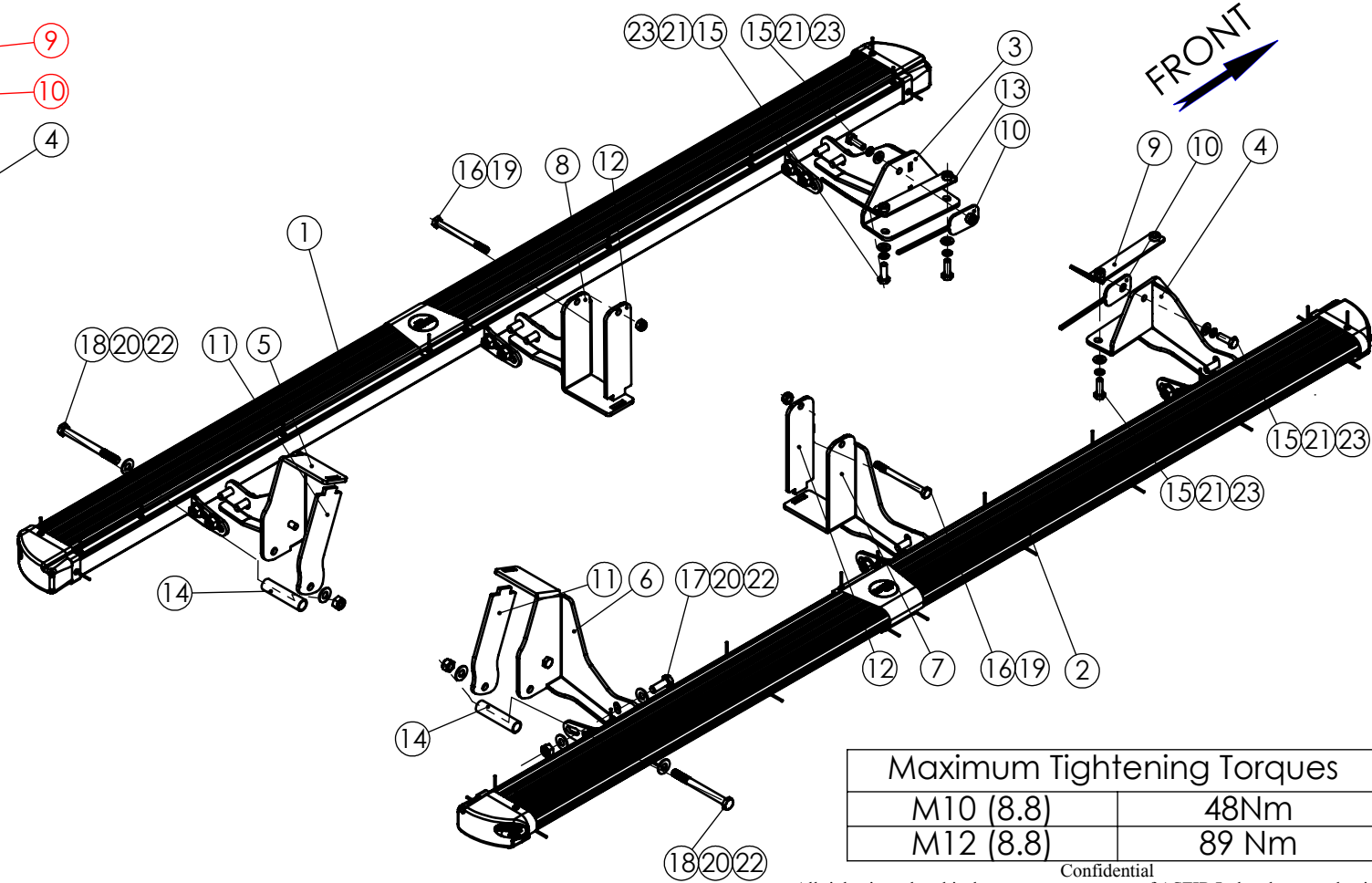


Chassis



NO.	PART NUMBER	DESCRIPTION	QTY.
1	FRM39.100.000	LEFT PROTECTOR	1
2	FRM39.200.000	RIGHT PROTECTOR	1
3	FRM39.000.120	LEFT FRONT BRACKET	1
4	FRM39.000.020	RIGHT FRONT BRACKET	1
5	FRM39.000.030	LEFT REAR BRACKET	1
6	FRM39.000.040	RIGHT REAR BRACKET	1
7	FRM39.000.003	RIGHT MIDDLE BRACKET	1
8	FRM39.000.004	LEFT MIDDLE BRACKET	1
9	FRM39.000.005	Right threaded plate	1
10	FRM39.000.006	THREADED PLATE	2
11	FRM39.000.007	OPPOSITE PLATE	2
12	FRM39.000.008	OPPOSITE PLATE	2
13	FRM39.000.009	Left threaded plate	1
14	7225	Spacer 1/2" L=90 mm	2
15	1010	Hex Bolt M10x1.5x30 DIN 933	6
16	1053	Hex Bolt M10x1.5x120 DIN 931	2
17	1003	Hex Bolt M12x1.75x35 DIN 933	12
18	1014	Hex Bolt M12x1.75x130 DIN 931	2
19	3037	Hex Nut Nylock M10x1.5 DIN 985	2
20	3001	Hex Nut Nylock M12x1.75 DIN 985	14
21	6023	Washer 10x21 DIN125	6
22	6006	Washer 12x27 DIN 125	28
23	6008	Spring washer 10 DIN 127	6

Maximum Tightening Torques	
M10 (8.8)	48Nm
M12 (8.8)	89 Nm

Confidential
 All rights in and to this document are property of ASFIR Ltd. and reserved to it. This document is forwarded to the recipient under the condition of and subject to the obligation of the recipient to keep the confidentiality of its contents. Copying transfer of distribution of this document or its contents and the use of it not for the purpose intended-are strictly forbidden.

				Drawing number	Product Description	
CHG.				FRM39.000.000	Vehicle Manuf.	FORD
DWN.	Charnay		15.09.13		Vehicle Model	RANGER
CHKD.	David			Drawing description	Vehicle Version	Double Cabine
CONFIRM	Dani			Side Step Protector	VIN	6FPPXXMJ2PCL65325
ASFIR LTD.					Catalogue number	Year of Product.
				599250	Gear Shift	MANUAL
				Weight,kg 34.0	Motor Model	DIESEL 2.2TDCi
					Transmission	4X4