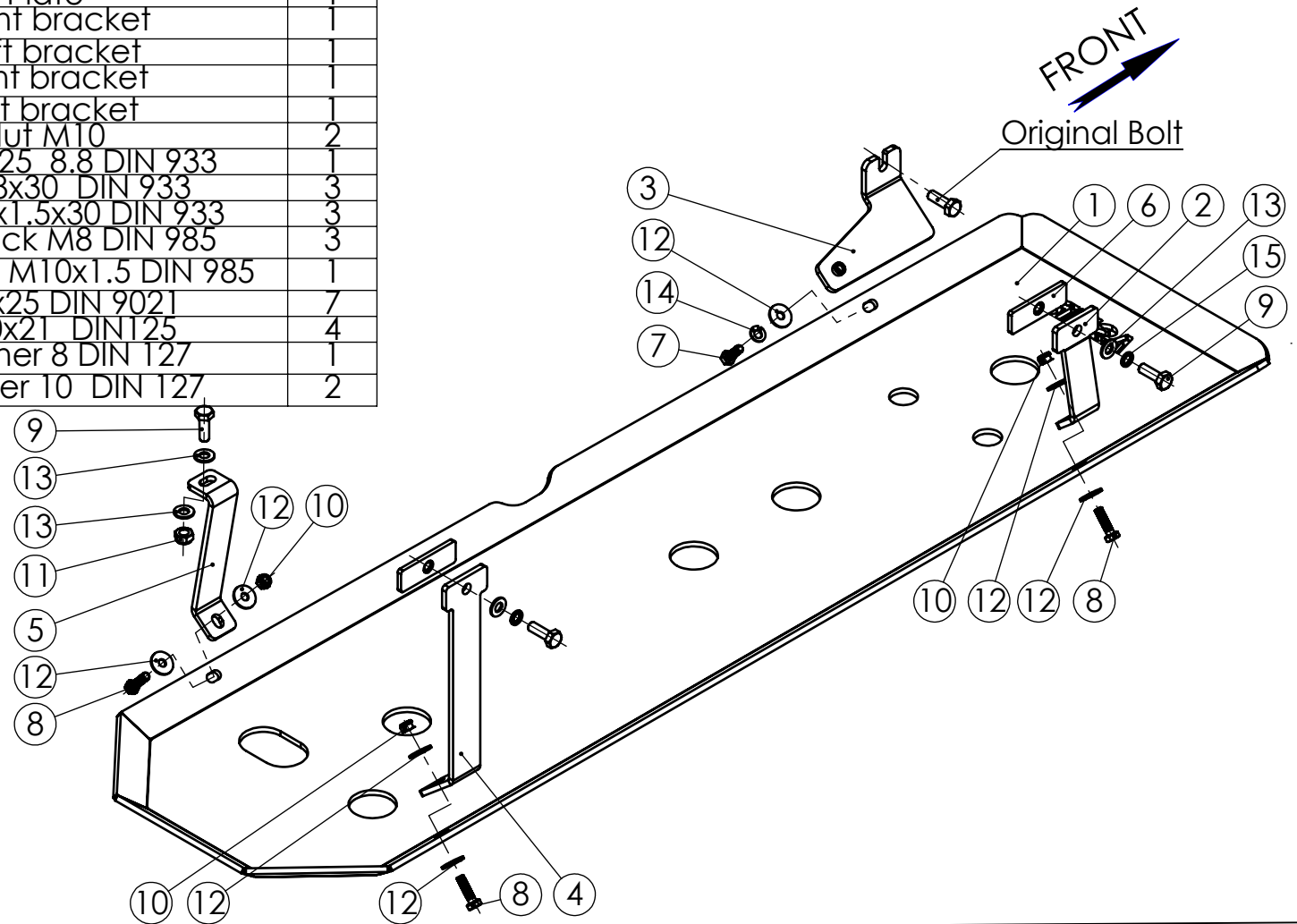


NO.	PART NUMBER	DESCRIPTION	QTY.
1	FRM38.000.001	Skid Plate	1
2	FRM38.000.002	Front right bracket	1
3	FRM38.000.003	Front left bracket	1
4	FRM38.000.004	Rear right bracket	1
5	FRM38.000.005	Rear left bracket	1
6	FRM38.000.006	Flat Nut M10	2
7	1168	Hex Bolt M8x25 8.8 DIN 933	1
8	1209	Hex Bolt M8x30 DIN 933	3
9	1010	Hex Bolt M10x1.5x30 DIN 933	3
10	3005	Hex Nut Nylock M8 DIN 985	3
11	3037	Hex Nut Nylock M10x1.5 DIN 985	1
12	6098	Washer 8x25 DIN 9021	7
13	6023	Washer 10x21 DINT25	4
14	6001	Spring washer 8 DIN 127	1
15	6008	Spring washer 10 DIN 127	2



			NAME	SIGN.	DATE	Drawing number		Product Description	
			CHG.	Slava	6.03.14	FRM38.000.000		Vehicle Manuf.	FORD
			DWN.	Slava	10.09.13	Drawing description		Vehicle Model	RANGER
			PLN.	David		Fuel Tank Skid Plate		Vehicle Version	Double Cabine
			CONFIRM	Dani		Catalogue number		VIN	6FPPXXMJ2PCL65325
			ASFIR LTD.			599270		Year of Product.	2013-2014
						Weight,kg 11.0		Gear Shift	MANUAL
								Motor Model	DIESEL 2.2/3.2TDCi
						Transmission	4X4		

Confidential

All rights in and to this document are property of ASFIR Ltd. and reserved to it. This document is forwarded to the recipient under the condition of and subject to the obligation of the recipient to keep the confidentiality of its contents. Copying transfer of distribution of this document or its contents and the use of it not for the purpose intended-are strictly forbidden.